

SPC-1881WP

18.5" WXGA TFT LED LCD Stationary Multi-Touch Panel Computer with Intel® Core™ i3 Processor



product
design award

2013



Features

- 18.5" WXGA TFT LED LCD
- Intel® Core™ i3-4010U 1.70 GHz processor
- 16:9 widescreen with PCAP multi-touch control
- Built-in function key and home key for intuitive operation
- Anti-scratch surface with 7H hardness
- IP66 rating for entire unit with waterproof M12 connector
- Supports expansion via mini PCIe slot
- Front-facing LED indicators for showing operating status
- Fanless cooling system
- Winner of the 2013 iF product design award



Introduction

The SPC-1881WP series of multi-touch panel computers feature an 18.5" WXGA TFT LED LCD with a 16:9 widescreen aspect ratio and PCAP multi-touch control. Powered by an Intel® Core™ i3-4010U 1.70 GHz processor, SPC-1881WP can support advanced graphics performance for complex applications. The built-in function key and home key offer enhanced usability and intuitive operation. The SPC-1881WP also includes a full-size mini PCIe slot for extending the system functionalities to satisfy diverse application needs. Moreover, to ensure reliable operation in harsh environments, SPC-1881WP is IP66 rated for protection from water and dust ingress and features waterproof M12 connectors. Finally, with the provision of vertical I/O connectors, cable routing is convenient and easy to complete regardless of mount variation.

Specifications

General

- **Certification** BSMI, CCC, CE, FCC Class A, UL
- **Cooling System** Fanless design
- **Dimensions (W x H x D)** 488 x 309 x 65mm (19.21 x 12.17 x 2.56 in)
- **Enclosure**
 - Front bezel: Die cast aluminum alloy
 - Back housing: Die cast aluminum alloy
- **Mount Options** VESA Arm
- **OS Support** Microsoft® WES7 (32/64-bit), Windows 7 (32/64-bit), Windows Embedded 8.1 Industry Pro, Windows 10 IoT Enterprise
- **Power Consumption** 35 W Typical
- **Power Input** 24 V_{DC}
- **Weight (Net)** 8 kg (17.64 lbs)

System Hardware

- **CPU** Intel® Core™ i3-4010U 1.70 GHz
- **Chipset** Integrated Intel 8 Series Chipset
- **Memory** 4 GB SODIMM DDR3 SDRAM
- **LAN** 10/100/1000BASE-T x 2 (connection: M12 A-coding, 8-pin female)
- **Expansion Slots** 1 x Full-size mini PCIe (optional)
- **Storage** 1 x 2.5" SATA HDD
- **I/O** 1 x RS-232 (connection: M12 A-coded, 8-pin male)
1 x USB 2.0 (connection: M12 A-coded, 8-pin female)
1 x 24 V_{DC} power input (connection: M12 A-coded, 5-pin male)

LCD Display

- **Display Type** WXGA TFT LED LCD
- **Display Size** 18.5"
- **Max. Resolution** 1366 x 768
- **Max. Colors** 16.7M
- **Luminance cd/m²** 300
- **Viewing Angle (H/V°)** 170/160
- **Backlight Life** 50,000 hr

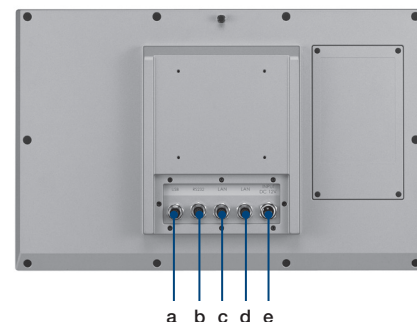
Touchscreen

- **Light Transmission** ≥88%
- **Resolution** 4096*4096 dot
- **Type** Projected capacitive

Environment

- **Humidity** 10 ~ 95% RH @ 40 °C, non-condensing
Note: Tested for 48 hr
- **Ingress Protection** IP66 rating for entire system
- **Operating Temperature** 0 ~ 55 °C (32 ~ 131 °F)
- **Storage Temperature** -20 ~ 60 °C (-4 ~ 140 °F)
- **Vibration Protection** With HDD: 1 Grms (5 ~ 500 Hz) (Operating, random vibration)

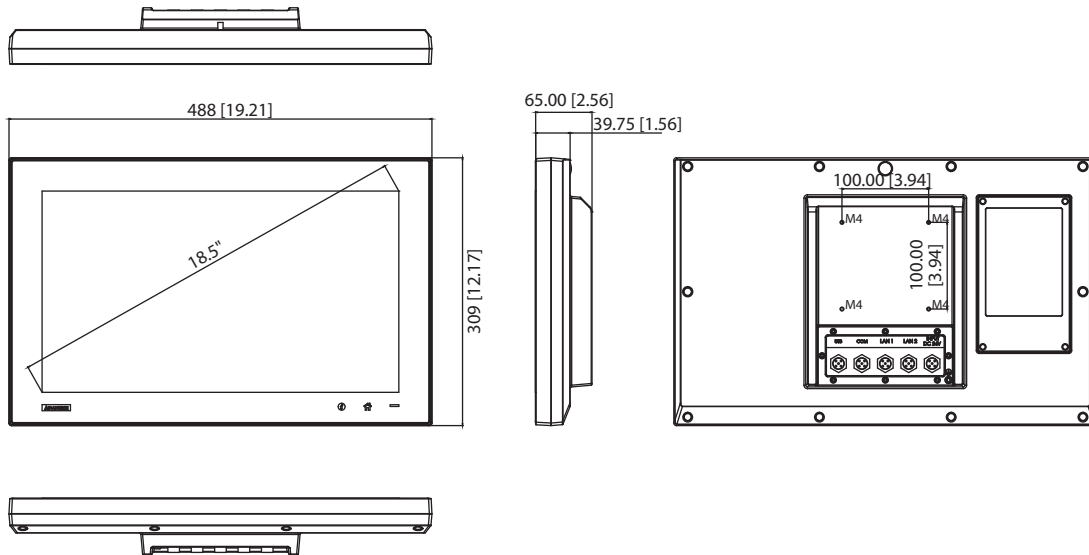
Rear View



- a. USB 2.0 with M12 connector
- b. COM (RS-232) with M12 connector
- c. LAN 1 with M12 connector
- d. LAN 2 with M12 connector
- e. 24 V_{DC} input with M12 connector

Dimensions

Unit: mm [inch]



Ordering Information

- **SPC-1881WP-433AE** 18.5" WXGA stationary Multi-Touch Panel PC, 4GB

Embedded OS

- **2070014320** Image WES7P X64 MUI V4.14 B001 for SPC-1881WP

Optional Accessories

- **1702002600** Power Cable US Plug 1.8 M
- **1702002605** Power Cable EU Plug 1.8 M
- **1702031801** Power Cable UK Plug 1.8 M
- **1700000596-11** Power Cable China/Australia Plug 1.8 M
- **EWM-W151H01E** 802.11bgn RTL8188EE 1T1R, Half-size Mini-PCIe (also need 9656EWMG00E)
- **9656EWMG00E** Half-size miniPCIe to Full-size miniPCIe bracket set
- **1750007668-01** Waterproof Wireless Antenna R/P SMA.M2dB L=86.7
- **1750003418** Wireless Antenna AN2400-5901RS R/P SMA.M9dB
- **SPC-1840WP-MCKE** M12 cable accessory kit for SPC series
- **SPC-1840WP-MOKE** M12 Connector accessory kit for SPC series

Application Software

<p>WebAccess/SCADA</p>	<p>Advantech WebAccess/SCADA is a 100% browser-based IIoT software platform aimed at supervisory control and data acquisition (SCADA) operations. WebAccess/SCADA provides open interfaces that allow our customers and partners to develop unique IIoT applications for different vertical markets. In addition to supporting traditional SCADA functions, the platform features an HTML5-based user interface and intelligent dashboard to facilitate cross-platform, cross-browser data analysis. Moreover, WebAccess/SCADA not only offers built-in widgets, but is also equipped with an innovative Widget Builder that enables customers to build their own widgets.</p>
<p>WebAccess/HMI</p>	<p>Advantech WebAccess/HMI is human-machine interface (HMI) software based on Microsoft's Windows operating system. This software features excellent communication and monitoring capabilities, supports more than 350 PLC communication protocols, and offers a wide choice of screen design objects to satisfy diverse integrations of factory automation and HMI operation and monitoring requirements.</p>